

**Agilent J1520AC**

**Standard Shelf Installation Kit**

**Installation Guide**



# Notice

The information contained in this document is subject to change without notice.

**AGILENT TECHNOLOGIES MAKES NO WARRANTY OF ANY KIND WITH REGARD TO THIS MATERIAL, INCLUDING, BUT NOT LIMITED TO, THE IMPLIED WARRANTIES OF MERCHANTABILITY AND FITNESS FOR A PARTICULAR PURPOSE.**

Agilent Technologies shall not be liable for errors contained herein or for incidental or consequential damages in connection with the furnishing, performance, or use of this material. This document contains proprietary information, which is protected by copyright. All rights are reserved. No part of this document may be photocopied, reproduced, or translated into another language without the prior written consent of Agilent Technologies.

**Copyright © 1998, 2001 Agilent Technologies, Inc.**

# Contents

- 2 Rear Brackets (PN 5064-6119)
- 2 Sheet Metal Nuts (PN 0590-2318)
- 1 Plain Shelf (PN J1520-00001)
- 2 Decorative Gray Screws (PN 0570-1581)
- 2 Torx 25 Screws with Lock Washers (PN 0590-0804)

**Tools Needed:** Torx 25 Driver

# General Information

This kit requires 1 EIA unit in your Agilent rack.

**NOTE:** Extend the rack's four stabilizer feet before installing components in the rack.  
Remove side panels to install the Plain Shelf.

## STEP 1

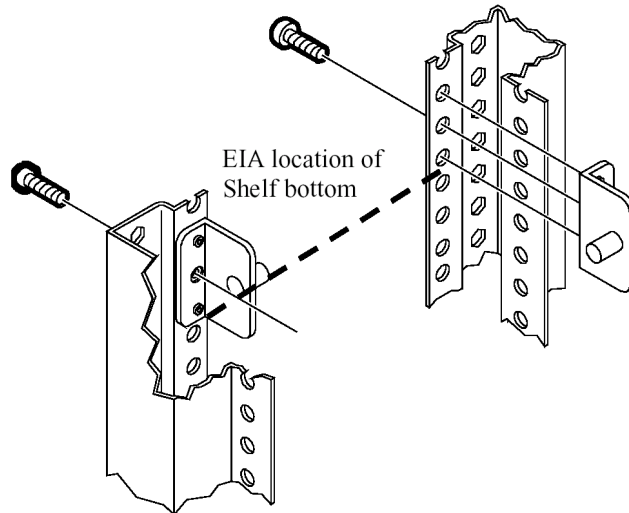
### Choose EIA location for the Plain Shelf.

Determine the height for the Plain Shelf and locate EIA number on columns where bottom of Plain Shelf is to be installed.

## STEP 2

### Position and attach Rear Brackets.

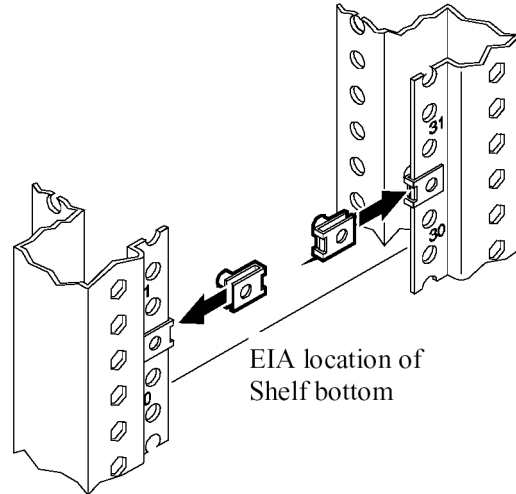
Position the bottoms of the Rear Brackets at the desired EIA location. Install with two non decorative Torx 25 bolts.



### STEP 3

#### Install Sheet Metal Nuts in front columns.

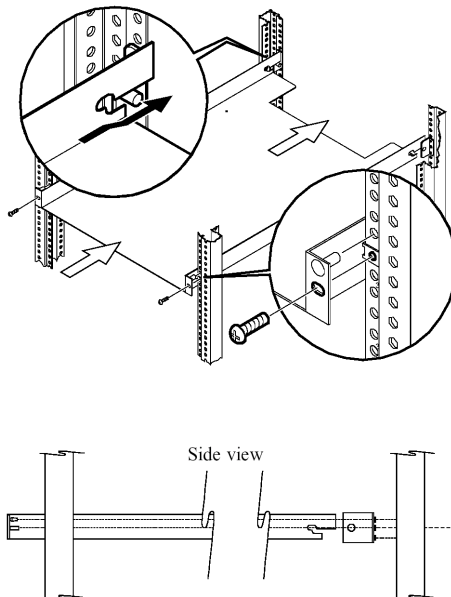
In the middle hole of the EIA unit located in Step 1, place sheet metal nuts on the front columns as shown. (The placement location shown is only an example.)



### STEP 4

#### Install Plain Shelf.

Standing in front of the rack and holding the front of the Plain Shelf, move it to the rear. The pins pointing in on the Rear Brackets fit into the channels cut into the back of the Plain Shelf. Align the front of the shelf at the EIA location.



### STEP 5

#### Install Decorative Gray Screws in front column.

Front holes in the Plain Shelf should align with Sheet Metal Nuts attached in Step 3. Installation complete.